

## JAB 回轉型空壓高速夾頭

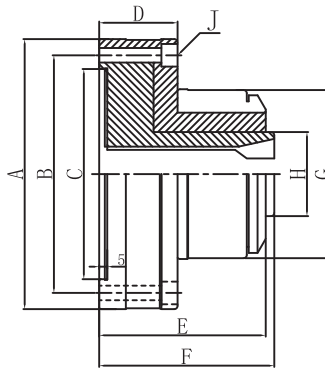
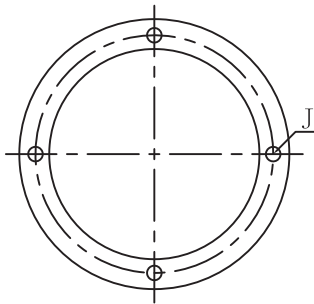
### JAB BUILT-IN AIR CYLINDER COLLET CHUCK

- ◎ 此夾頭可使用內漲或外夾兩種配置
- ◎ 夾頭本體為熱處理鋼一體成型
- ◎ 軸承無負荷，轉速高，壽命長，溫度低
- ◎ 雙向作動力，強制開啟筒夾、決不卡料
- ◎ 壓力中斷時，夾頭呈夾持狀態
- ◎ 可由前端安裝，減小連接板厚度
- ◎ 筒夾不後縮，可正常控制工作長度
- ◎ 本體回轉精度小於0.01mm



適用於：NC車床、普車、研磨機、分度盤、第4軸、第5軸。

Applicable to CNC/lathe/grinder/rotary table/the 4th axis/the 5th axis.  
 The collet has two types of inside expansion and outside clamping.  
 No loading on bear, So high rotary speed, low temperature, long working service time.  
 Safty designation, when the air pressure is interrupted, the chuck still be clamping status.  
 It could be front mounting, So the adapter can be compacted.  
 The collet clamping type is pushing forward, So the workpiece length can be controlled.  
 The collet chuck's body accuracy is within 0.01mm.



單位/Unit:mm

型號/Model 規格/Spec	活塞行程 Piston Stroke mm	最大扭力 Max. Torque N · m	空壓壓力 Air Pressure Kgf/cm <sup>2</sup>	最高轉速 Max. RPM	適配筒夾 Collet type	最大夾持外徑 Max. Clamping Dia.	重量 Weight Kgs
JAB-15	4	3	3--8	4000	YB-15	15	3.2
JAB-25	4	3	3--8	4000	YB-25	25	9.5
JAB-40	4	4.5	3--8	4000	16C	40	13.5
JAB-60	4	7.8	3--8	3000	20C	60	20.35
JAB-80	4	35	3--8	1500	193E	80	32

型號/Model 規格/Spec	A	B	C(H6)	D	E	F	G	H	J
JAB-15	100	84	70	40	82	85	71	30	4*M6
JAB-25	167	147	130	48	103	108	104	52	4*M8
JAB-40	187	168	150	50	118	122	133	72	4*M8
JAB-60	220	203	170	55	125	130	168	100	4*M10
JAB-80	247	226	200	69	144.25	153	200	145	6*M10

注：夾持扭力是以6kgf/cm<sup>2</sup> 夾持20mm圓棒測得

The clamping torque is come by the testing of using 6kgf/cm<sup>2</sup> to clamp the dia. 20mm round bar

保留技術更改的權利，恕不另行通知 Subject to technology changes without prior information.

非標需求可訂做 Non-standard requirements can be made

