

### > RT SERIES

#### 回轉氣壓夾盤

#### RT ROTARY AIR CHUCK FIXTURES



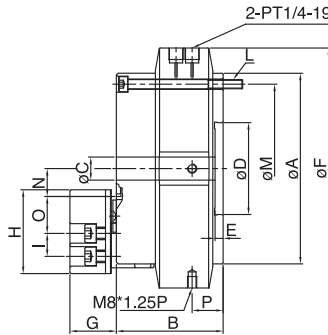
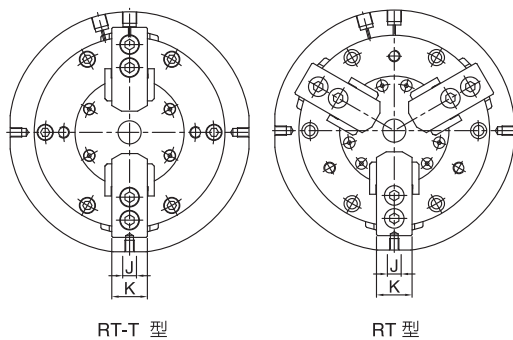
輕切削加工適用 Suitable for light cutting

回轉式氣壓夾盤適用於分度盤，具可隨分度盤主軸旋轉功能，動力夾持加工物作角度分割或旋轉切削。

It's ideal for dividing or cutting work pieces by mounting the chuck on indexing table or rotary table. The distinctive feature is that the chuck rotates with the spindle of indexing table or rotary table.

- ◎ 氣缸防銹處理：在潮濕及工作環境較差的情況，氣缸內部經防銹處理，不會生銹或卡死。
- ◎ 防塵裝置：工作中的鐵屑及切削液不易進入夾盤內部的缸式，確保夾盤的使用壽命及精度保持。
- ◎ 前置式氣缸：氣缸與夾盤直結設計，確保夾持的穩定性，更方便於組裝及操作。

- ◎ Rustproof treated cylinder: The cylinder won't get rusty and seized even in wet or high moisture working environment.
- ◎ Dust and water proof cover: Prevent metal chips or coolant from entering inside of chuck cylinder to maintain its accuracy and lead to longer service life.
- ◎ Integral pneumatic cylinder: Connect chuck and built-in cylinder to each other directly; thus enables operation stability. Moreover, it is more convenient for installation and operation since the use of draw tube and draw bar are no longer necessary.



使用範例/Operation Example

規格 Spec 型號 Model	A	B	C	D	E	F	G	H	I	J	K	L
RT-05	140	85	16	60	6	180	33	62	14	10	25	6-M8x1.25P
RT-06	170	93	20	80	7	210	40	73	20	12	31	6-M8x1.25P
RT-08	215	112	30	110	8	250	42	95	25	14	35	6-M10x1.5P
RT-10	255	120	43	140	8	290	46	110	30	16	40	6-M10x1.5P
RT-05T	140	85	16	60	6	180	33	62	14	10	25	6-M8x1.25P
RT-06T	170	93	20	80	7	210	40	73	20	12	31	6-M8x1.25P

規格 Spec 型號 Model	M	P	N max	N min	O max	O min	通孔直徑 (mm) Thru-Hole (Diameter)	活塞面積 Piston Area (cm <sup>2</sup> )	柱塞行程 Plunger Stroke (mm)	爪行程 (直徑) Jaw Stroke (Diameter) (mm)
RT-05	PCDØ118	27	26.93	24.62	20.05	6.55	16	74	10	4.6
RT-06	PCDØ147	27	36.46	33.69	21.55	15.55	20	120	13	5.5
RT-08	PCDØ185	28	44.92	41.52	29.55	17.55	30	190	16	6.8
RT-10	PCDØ220	30.5	53.63	49.59	36.55	17.05	43	280	19	8.0
RT-05T	PCDØ118	27	26.93	24.62	20.05	6.55	16	74	10	4.6
RT-06T	PCDØ147	27	36.46	33.69	21.55	15.55	20	120	13	5.5

規格 Spec 型號 Model	最高回轉速 Max R.P.M	最大設定壓力 Max. Pressure kgf/cm <sup>2</sup>	(Mpa)	氣壓夾持力 Gripping Force At Air Pressure 7kgf/cm <sup>2</sup> (0.7Mpa) kgf	(KN)	夾持範圍 Gripping Range (mm)	淨重 Weight (kg)
RT-05	51	7	(0.7)	1340	(13.1)	Ø4-Ø136	9.3
RT-06	41	7	(0.7)	2330	(22.8)	Ø25-Ø166	15.5
RT-08	33	7	(0.7)	3730	(36.5)	Ø33-Ø215	28.5
RT-10	26	7	(0.7)	5480	(53.7)	Ø43-Ø255	42.3
RT-05T	51	7	(0.7)	1340	(13.1)	Ø4-Ø136	9.0
RT-06T	41	7	(0.7)	2330	(22.8)	Ø25-Ø166	15.0

\* 保留技術更改的權利，恕不另行通知 Subject to technology changes without prior information  
\* 非標需求可訂做 Non-standard requirements can be made

