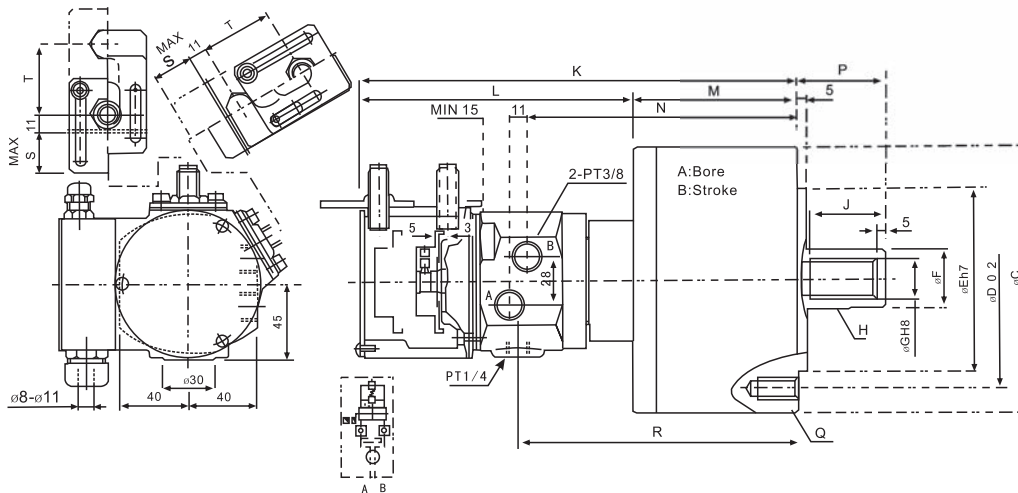


### > MS-C SERIES

中實回轉油壓缸  
(含逆止閥、檢知裝置)

NON THROUGH HOLE ROTARY HYDRAULIC CYLINDER ( WITH VALVES AND SWITCHES )

- ◎ 1.附逆止閥。◎ 2.檢出安全裝置。◎ 3.近接開關須另購。
- ◎ 拉桿推力：油壓力4.0MPa (40.8 kgf/cm<sup>2</sup>)
- ◎ 總流量：油壓力3.0MPa (30.6 kgf/cm<sup>2</sup>)及 度50° C
- ◎ 近接開關：規格BESS 16-329-E4-Y (BALLUFF) DC 12/24V 200mA NPN
- ◎ Built-in safty check valves and detective plate.
- ◎ The proximity switches are extra option.
- ◎ Draw bar pull force : Pressure 4.0 MPa(40.8kgf / cm<sup>2</sup>)
- ◎ Total leakage : Pressure 3.0 MPa(30.6kgf / cm<sup>2</sup>) and oil temperature 50°C
- ◎ Proximity switch : Model BESS 16-329-E4-Y (BALLUFF) DC 12 / 24V 200mA NPN



型式 Model	A	B	C	D	E	F	G	H	J	K	L	M	N	p max	p min	Q	R	S	T
MS105C	105	20	135	100	80	30	21	M20×2.5	35	257	168	89	152	45	25	6-M10×20	158	23	46
MS125C	125	25	160	130	110	35	25	M24×3.0	44	265	168	97	160	51	26	6-M12×24	166	23	46
MS125C	125	35	160	130	110	35	25	M24×3.0	44	269	168	101	164	57	22	6-M12×24	170	23	46
MS150C	150	30	190	130	110	45	31	M30×3.5	45	274	168	106	169	56	26	12-M12×24	175	23	46
MS200C	200	35	245	145	120	55	37	M36×4.0	60	288	166	120	183	69	34	12-M16×30	189	28	46

型式 Model	活面積 Eff.piston area cm <sup>2</sup>		最大拉桿推力 Max DB pull ( kgf ) 拉測pull KN ( kgf )	柱塞行程 Piston stroke (mm)	最高回轉速 Max R.P.M	最大使用油壓力 Max oil pressure ( kgf/cm <sup>2</sup> )	總流量 Total Leakage ( l/min )	慣性矩 kg·m <sup>2</sup>	重量 Weight (kg)
	推側 Push	拉側 Pull							
MS105C	84	79	29(2957)	20	6000	4.0(40.8)	0.8	0.0125	7.6
MS125C	120	113	42(4283)	25	6000	4.0(40.8)	0.8	0.022	10.5
MS125C	120	113	42(4283)	35	6000	4.0(40.8)	0.8	0.022	10.5
MS150C	174	160	60(6118)	30	5500	4.0(40.8)	0.8	0.047	14
MS200C	312	290	108(11013)	35	5500	4.0(40.8)	0.8	0.097	22.5

\* 保留技術更改的權利，恕不另行通知 Subject to technology changes without prior information  
\* 非標需求可訂做 Non-standard requirements can be made

