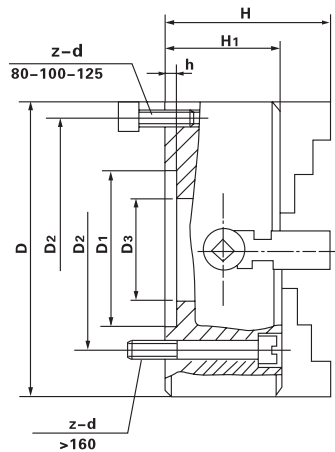


SC72系列四爪單動卡盤

SC72 SERIES 4 JAW INDEPENDENT MOVEMENT CHUCKS

另有其他短錐形式的卡盤，如A型、C型、D型 Other short taper mounting type like A/C/D is available.



- 標準配件: Standard accessories:
- ⊙ 一套卡爪 1 set of hard solid jaws
 - ⊙ 一個扳手 1 wrench
 - ⊙ 一套螺絲 1 set of mounting screws.

規格 / Specification

單位/UNIT:mm

型號 MODEL	卡盤尺寸 Chuck Size	Size D Inch	D1	D2	D3	H	H1	h	z-d
SC72-80	80	3	55	66	22	58	42	3.5	4-M6
SC72-100	100	4	72	84	25	77	54	4	4-M8
SC72-125	125	5	95	108	30	78	56	4.5	4-M8
SC72-160	160	6	65	95	45	96.5	65	5	4-M10
SC72-160A	160	6	53	71	45	96.5	65	5	4-M10
SC72-160T	160	6	130	145	40	96.5	65	5	4-M10
SC72-200	200	8	125	104.8	50	110	75	6	4-M10
SC72-200A	200	8	75	95	56	110	75	6	4-M10
SC72-250	250	10	100	120	65	117.5	82	6	4-M12
SC72-250A	250	10	110	130	75	115.5	80	6	4-M12
SC72-300	300	12	152	130	75	128.5	85	6	4-M12
SC72-315	315	12	140	165	95	134	90	6	4-M16
SC72-320	320	13	140	165	95	134	90	6	4-M16
SC72-350	350	14	130	168	80	145	95	8	4-M16
SC72-400	400	16	160	185	125	143	95	8	4-M16
SC72-450	450	18	180	205	140	147	100	8	4-M16
SC72-500	500	20	200	236	160	161	106	8	4-M20
SC72-630	630	25	220	258	180	180	115	10	4-M20
SC72-800	800	32	250	300	210	210	135	12	8-M20
SC72-1000	1000	40	320	370	260	241	150	15	8-M20
SC72-1000A	1000	40	285	330	280	241	150	75	8-M20
SC72-1250	1250	50	400	500	305	256	165	15	8-M20
SC72-1400	1400	55	400	500	305	246	155	15	8-M20
SC72-1600	1600	63	420	520	320	266	175	18	8-M24
SC72-2000	2000	80	450	560	350	290	190	20	8-M30