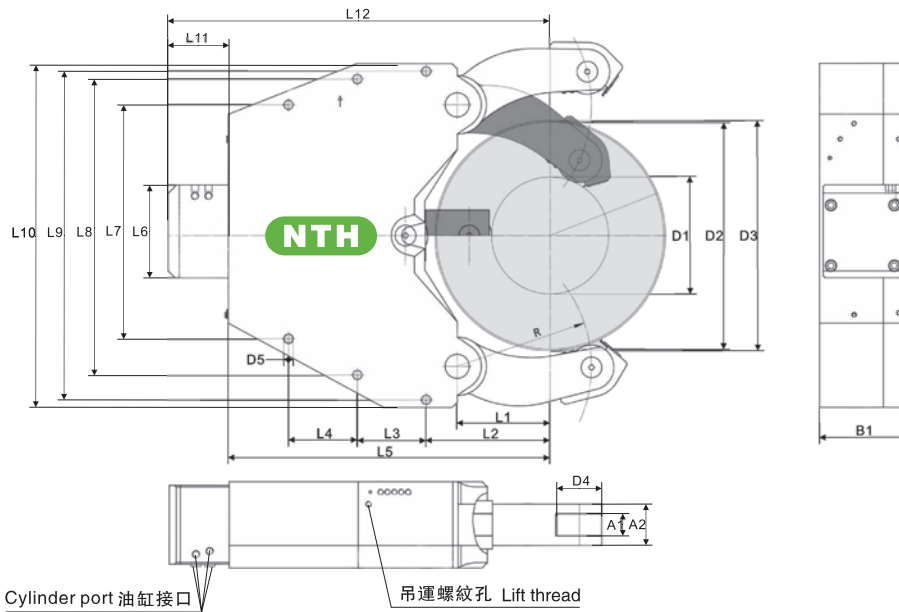




自定心中心架

SELF-CENTERING STEADY REST

OMSR-C型



可非标订做
Non-standard requirements can be made

NTH-OMSR 型號/Model 規格/Spec	OMSR-C 1	OMSR-C 3
D1 (mm)	340	650
D2 (mm)	660	910
D3 (mm)	670	916
D4 (mm)	130	130
D5 (mm)	27	27
L1 (mm)	270	390
L2 (mm)	360	450
L3 (mm)	335	530
L4 (mm)	210	220
L5 (mm)	935	1015
L6 (mm)	270	270
L7 (mm)	680	560
L8 (mm)	860	780
L9 (mm)	955	955
L10 (mm)	1000	1000
L11 (mm)	174	150
L12 (mm)	1109	1165
A1 (mm)	65	65
A2 (mm)	120	120
B1 (mm)	250	250
工作壓力最小/最大 Work pressure Min./Max. (bar)	8/80	8/80
最大夾緊力/滾軸 Max clamping force of the roller (daN)	8500	8500
整個夾持範圍的定位精度 Position accuracy within the clamping range (mm)	0.08	0.08
重復定位精度 Repeatability accuracy (mm)	0.03	0.03
滾輪最大綫速度 Max line speed of the roller (m/min)	560	560
重量 Weight (KG)	974.8	895.8

• 非标准油缸按要球订貨，保留技术更改！ Cylinders differing from standard available on request, Subject to technical changes.

