



TSC-9063 中负荷细长轻型镶钨钢回转顶针

MEDIUM DUTY LONG AND THIN LIGHT LIVE CENTER WITH TUNGSTEN CENTER

适用：CNC 车床、高速车床及其他机床。

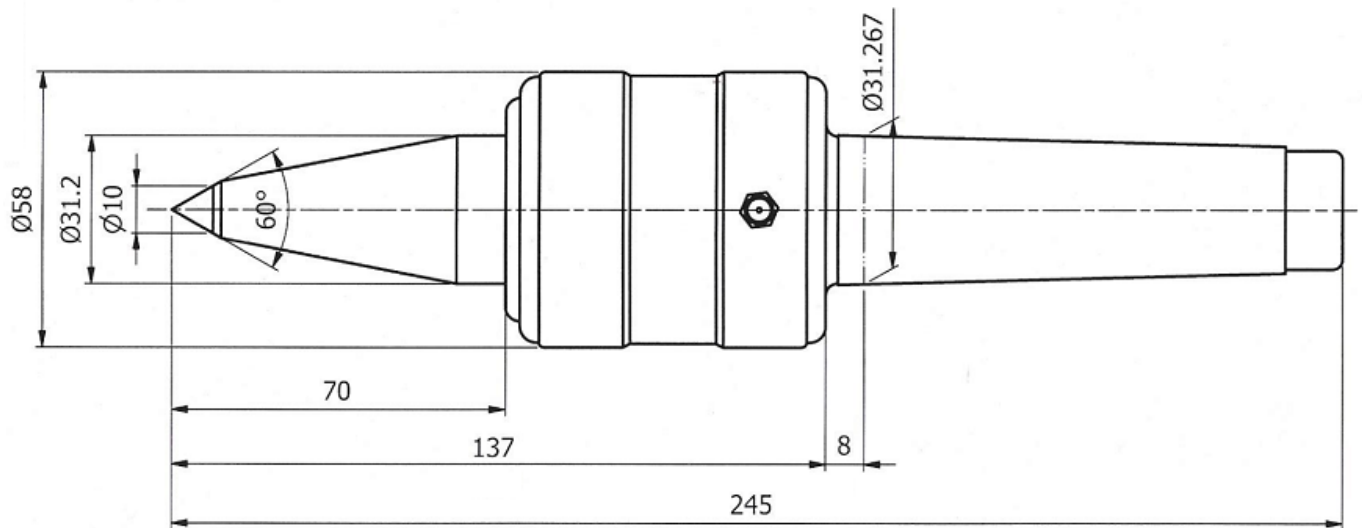
Application: CNC lathe, high speed lathe and other lathe.

用途：适用长度 400mm 以内轻量型轴心车削加工及细长型车削加工。

Working Usage: Applicable for the length less than 400mm light turning process, and slender workpiece turning process.

精度：0.005mm 以内

TIR: Less than 0.005mm



型式/规格 Model/Spec	莫氏锥柄 MT	轴承最高转数 Max. RPM	轴承径向力 (载重) Max. radial load	轴承轴向力 (推力) Max. axial thrust force
TSC-9063-TS10-4	31.267 (MT4)	3500	1000	1500

保留技术更改的权利,恕不另行通知 Subject to technology changes without prior information

非标需求可定做 Non-standard requirements can be made