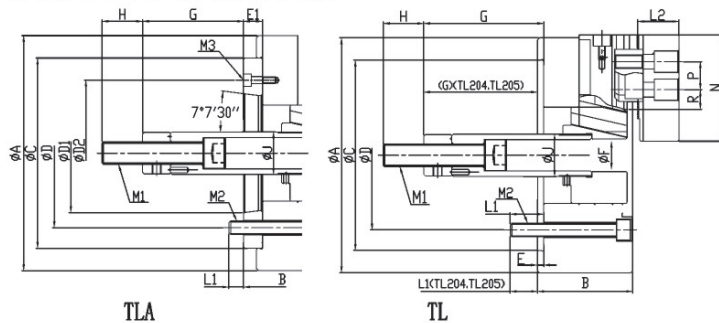


> TL SERIES 2-JAW SOLID POWER CHUCKS

二爪中實油壓夾頭



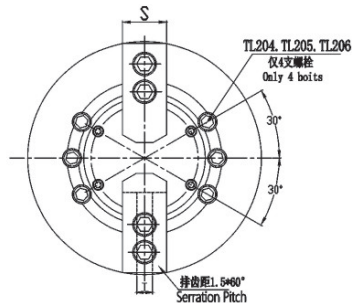
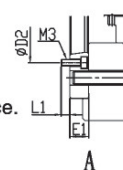
TL-208A5

TL-210A6

TL-215A8

參考圖 A

Refer to Fig. A



- ◎ 二爪楔形中實動力夾頭，適用於夾持不規則工件。
- ◎ 夾頭滑動面經硬化處理及精密研磨，并直接潤滑。
- ◎ 高剛性、高精度及高轉速。
- ◎ It's wedge-hook type 2 jaw closed center power chuck. Suitable for irregular workpiece.
- ◎ Matching surfaces of all parts are hardened, ground and lubricated directly.
- ◎ Construction of high rigidity and high clamping accuracy and high rotary speed.

規格 Spec 型號 Model	A	B	C(h6)	D	D1	D2	E	E1	F	G		H	J			
										Max	Min					
TL-204	110	52	60	80	-	-	6	-	-	18	3	25	26			
TL-205	135	55	80	100	-	-	7	-	-	9	-6	35	28			
TL-206 A5	165	74	84	140	104.8	82.56	116	5	15	21	101.5	86.5	81.5	66.5	36	34
TL-208 A5	210	85	103	170	133.4	82.56	104.8	5	23	25	127	104	106	83	36	38
TL-208 A6	210	85	97	170	133.4	106.38	150	5	17	25	127	110	106	89	36	38
TL-210 A6	254	89	109	220	171.4	106.38	133.4	5	25	34	158	133	133	108	36	45
TL-210 A8	254	89	102	220	171.4	139.72	190	5	18	34	158	140	133	115	36	45
TL-212 A8	304	106	118	220	171.4	139.72	190	6	18	34	163	145	133	115	36	50
TL-215 A8	381	114	141	300	235	139.72	171.4	6	33	-	104	71	69	36	55	60
TL-215 A11	381	114	130	300	235	196.87	260	6	22	-	104	82	69	47	55	60

規格 Spec 型號 Model	L1	L2	M1	M2	M3	N	P	R		S	T
								max	min		
TL-204	12	25	M10×1.5	4-M8	-	52	14	11.3	8.3	25	10
TL-205	14	32	M12×1.75	4-M8	-	62	14	13.5	6	25	10
TL-206 A5	14	14	M16×2	4-M10	4-M6	73	20	18	7.5	31	12
TL-208 A5	20	17	M20×2.5	6-M12	6-M10	95	25	22.3	11.8	35	14
TL-208 A6	20	18	M20×2.5	6-M12	4-M6	95	25	22.3	11.8	35	14
TL-210 A6	18	18	M20×2.5	6-M16	6-M12	110	30	30.8	11.3	40	16
TL-210 A8	18	25	M20×2.5	6-M16	4-M8	110	30	30.8	11.3	40	16
TL-212 A8	22	25	M20×2.5	6-M16	4-M8	130	30	48.8	12.3	50	18
TL-215 A8	30	29	M30×3.5	6-M20	6-M16	165	43	48.8	23.3	62	25.5
TL-215 A11	30	33	M30×3.5	6-M20	4-M10	165	43	48.8	23.3	62	25.5

規格 Spec 型號 Model	楔心套行程 Plunger stroke mm	卡爪行程(直徑) Jaw stroke(Dia.) mm	許用推拉力 Max. pull force KN(kgf)	最大夾緊力 Max. Gripping force KN(kgf)	極限轉速 Max. Speed r/min	夾緊範圍 Gripping range mm	慣量 Moment of inertial Kg.m ²	重量 Weight Kg	適用油缸 Matching cylinder	最大使用壓力 Max. pressure Mpa(kgf/cm ²)
TL-204	15	6.9	5.3(540)	14.7(1500)	6000	5-110	0.01	4.1	S-65	1.9 (19)
TL-205	15	6.9	5.3(540)	16.7(1700)	5500	14-135	0.02	6.2	S-80	1.9 (19)
TL-206 A5	20	9.2	12(1220)	35(3570)	5250	14-165	0.05	13 14	S-100	1.7 (17)
TL-208 A5	21	9.7	16.5(1680)	50(5100)	4750	17-210	0.14	24 28	S-125	1.5 (15)
TL-208 A6	21	9.7	16.5(1680)	50(5100)	4750	17-210	0.14	24 27	S-125	1.5 (15)
TL-210 A6	25	8.8	19.4(1980)	71.5(7300)	4000	22-254	0.30	35 42	S-125	1.8 (18)
TL-210 A8	25	8.8	19.4(1980)	71.5(7300)	4000	22-254	0.73	35 40	S-125	1.8 (18)
TL-212 A8	30	10.5	27.4(2800)	103.9(10600)	3360	22-304	0.73	59 63	S-150	1.8 (18)
TL-215 A8	35	16	54.9(5600)	164.6(16800)	3000	50-381	1.95	100 114	S-200	1.9 (19)
TL-215 A11	35	16	54.9(5600)	164.6(16800)	3000	50-381	1.95	100 107	S-200	1.9 (19)

* 保留技術更改的權利，恕不另行通知 Subject to technology changes without prior information

* 非標需求可訂做 Non-standard requirements can be made